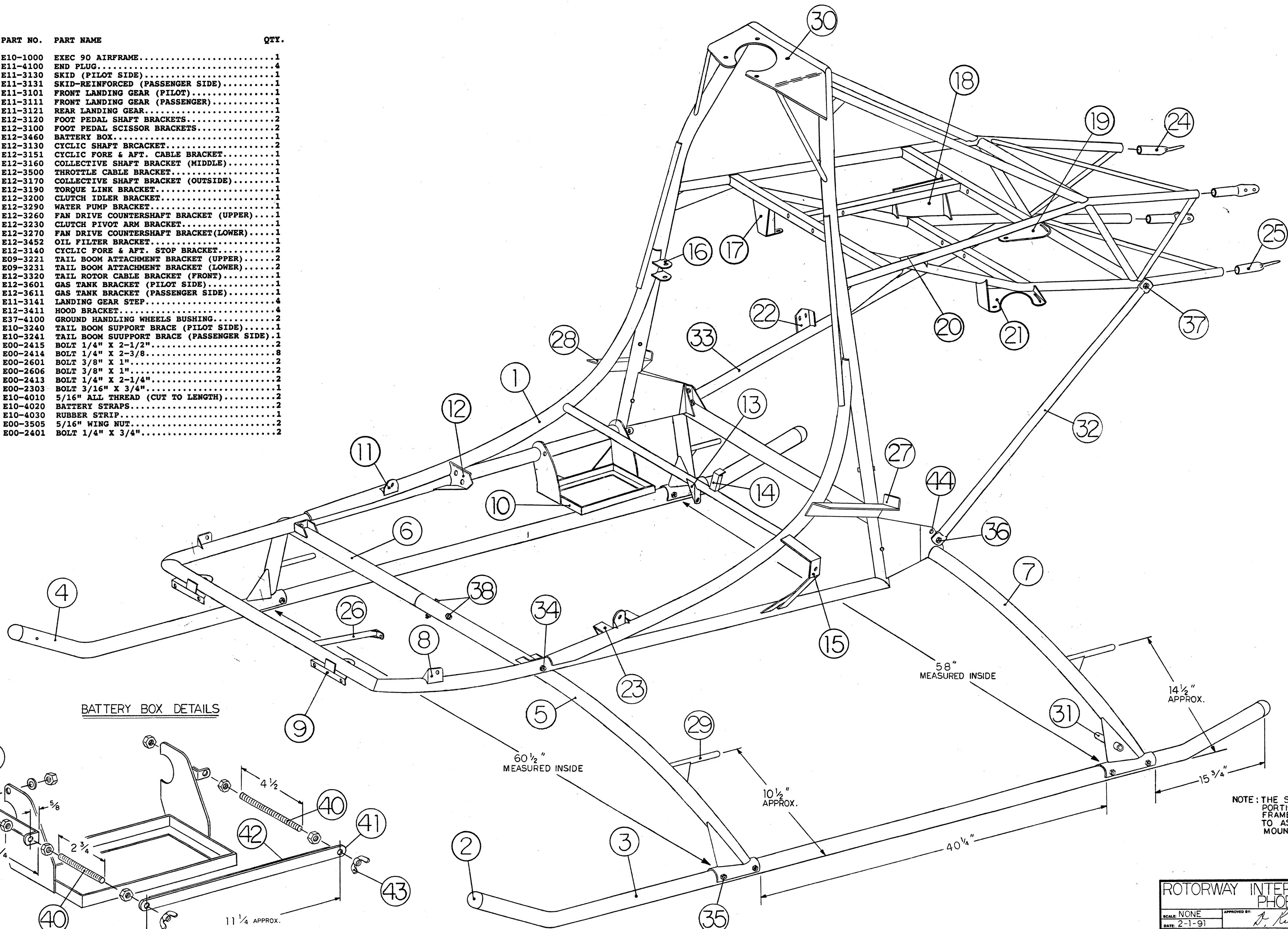
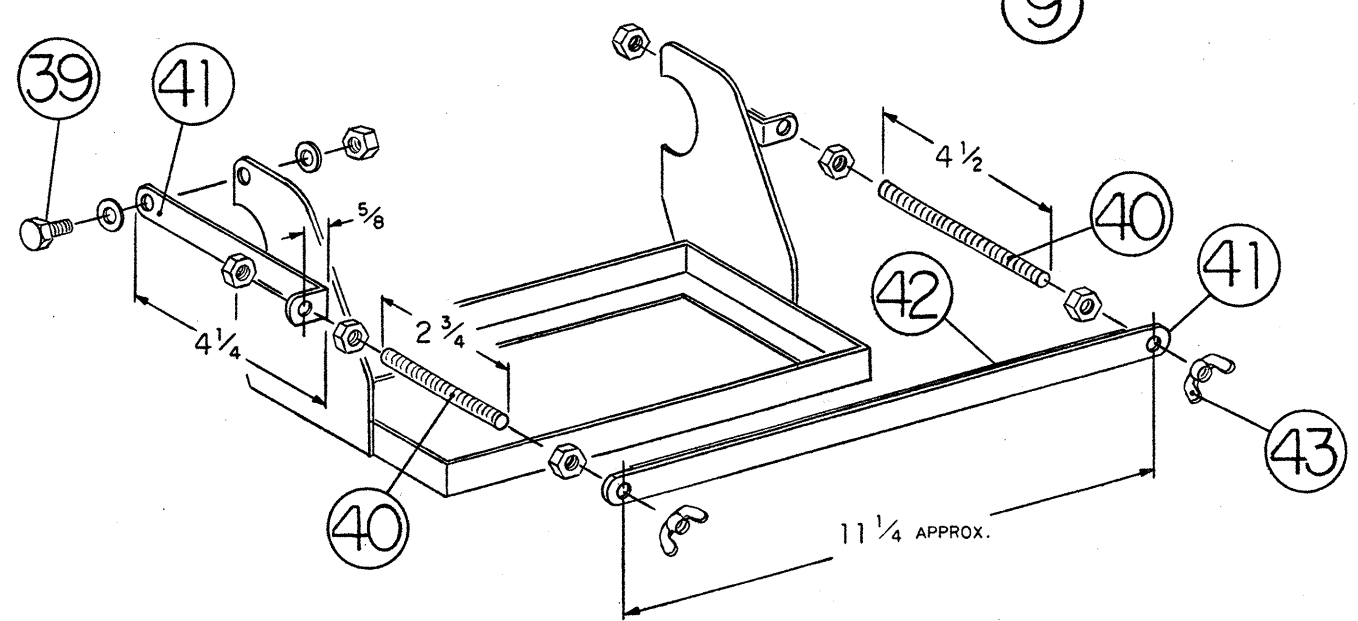


REF. NO.	PART NO.	PART NAME	QTY.
1.	E10-1000	EXEC 90 AIRFRAME.....	1
2.	E11-4100	END PLUG.....	4
3.	E11-3130	SKID (PILOT SIDE).....	1
4.	E11-3131	SKID-REINFORCED (PASSENGER SIDE).....	1
5.	E11-3101	FRONT LANDING GEAR (PILOT).....	1
6.	E11-3111	FRONT LANDING GEAR (PASSENGER).....	1
7.	E11-3121	REAR LANDING GEAR.....	1
8.	E12-3120	FOOT PEDAL SHAFT BRACKETS.....	2
9.	E12-3100	FOOT PEDAL SCISSOR BRACKETS.....	2
10.	E12-3460	BATTERY BOX.....	1
11.	E12-3130	CYCLIC SHAFT BRACKET.....	2
12.	E12-3151	CYCLIC FORE & AFT. CABLE BRACKET.....	1
13.	E12-3160	COLLECTIVE SHAFT BRACKET (MIDDLE).....	1
14.	E12-3500	THROTTLE CABLE BRACKET.....	1
15.	E12-3170	COLLECTIVE SHAFT BRACKET (OUTSIDE).....	1
16.	E12-3190	TORQUE LINK BRACKET.....	1
17.	E12-3200	CLUTCH IDLER BRACKET.....	1
18.	E12-3290	WATER PUMP BRACKET.....	1
19.	E12-3260	FAN DRIVE COUNTERSHAFT BRACKET (UPPER).....	1
20.	E12-3230	CLUTCH PIVOT ARM BRACKET.....	1
21.	E12-3270	FAN DRIVE COUNTERSHAFT BRACKET (LOWER).....	1
22.	E12-3452	OIL FILTER BRACKET.....	1
23.	E12-3140	CYCLIC FORE & AFT. STOP BRACKET.....	2
24.	E09-3221	TAIL BOOM ATTACHMENT BRACKET (UPPER).....	2
25.	E09-3231	TAIL BOOM ATTACHMENT BRACKET (LOWER).....	2
26.	E12-3320	TAIL ROTOR CABLE BRACKET (FRONT).....	1
27.	E12-3601	GAS TANK BRACKET (PILOT SIDE).....	1
28.	E12-3611	GAS TANK BRACKET (PASSENGER SIDE).....	1
29.	E11-3141	LANDING GEAR STEP.....	4
30.	E12-3411	HOOD BRACKET.....	4
31.	E37-4100	GROUND HANDLING WHEELS BUSHING.....	2
32.	E10-3240	TAIL BOOM SUPPORT BRACE (PILOT SIDE).....	1
33.	E10-3241	TAIL BOOM SUPPORT BRACE (PASSENGER SIDE).....	1
34.	E00-2415	BOLT 1/4" X 2-1/2".....	2
35.	E00-2414	BOLT 1/4" X 2-3/8".....	8
36.	E00-2601	BOLT 3/8" X 1".....	2
37.	E00-2606	BOLT 3/8" X 1".....	2
38.	E00-2413	BOLT 1/4" X 2-1/4".....	2
39.	E00-2303	BOLT 3/16" X 3/4".....	1
40.	E10-4010	5/16" ALL THREAD (CUT TO LENGTH).....	2
41.	E10-4020	BATTERY STRAPS.....	2
42.	E10-4030	RUBBER STRIP.....	1
43.	E00-3505	5/16" WING NUT.....	2
44.	E00-2401	BOLT 1/4" X 3/4".....	2



BATTERY BOX DETAILS



NOTE: THE SQUARE TUBING PORTION OF THE AIRFRAME IS REFERRED TO AS THE DRIVE MOUNT AREA

ROTORWAY INTERNATIONAL PHOENIX, ARIZONA		
SCALE: NONE	APPROVED BY: <i>S. Rog</i>	DRAWN BY: WAR
DATE: 2-1-91		REVISED: 8-26-91
AIRFRAME, LANDING GEAR		
8-26-91 REVISION 1: NEW STYLE BRACKETS (27) AND (28); STRAP (41) DIMENSION WAS 10 5/8		DRAWING NUMBER E10-2000-1